



EBARA

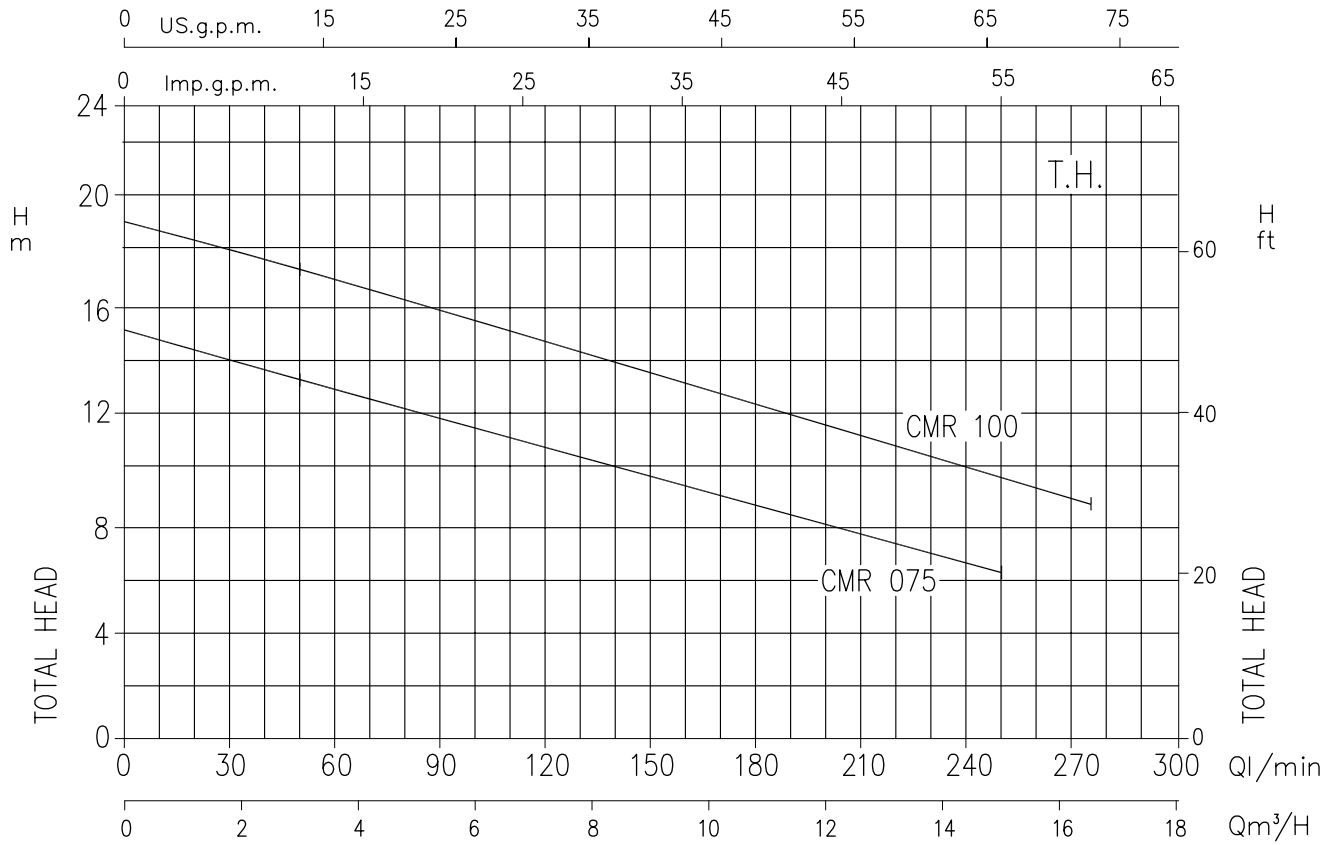
	Page
- SPECIFICATIONS	200
SELECTION CHART	201
PERFORMANCE CHART CMR 0.75	202
PERFORMANCE CHART CMR 1.00	203
- CONSTRUCTIONS	300
SECTIONAL VIEW	300
MECHANICAL SEAL	301
THREE PHASE DIAGRAM AND ELECTRIC CONNECTIONS	302
SINGLE PHASE DIAGRAM AND ELECTRIC CONNECTIONS	303
- DIMENSIONS	400
DIMENSIONS	401
PACKING AND WEIGHT	402
- TECHNICAL DATA	500

SPECIFICATIONS

50Hz

PUMP		
Liquid Handled	Type of liquid	Clean water
	Max temperature [°C]	90
	Maximum working pressure [MPa]	0.6
Construction	Impeller	Open centrifugal
	Shaft seal type	Mechanical seal
	Bearing	Sealed ball bearing
Pipe Connection	Suction	G 1"½
	Discharge	G 1"½
Material	Casing	Cast iron
	Impeller	Brass
	Shaft seal	Ceramic/Carbon/NBR
	Shaft	AISI 416
	Bracket	Aluminium
	Casing cover	AISI 304
Applicable standard of test		ISO 9906 – Annex A

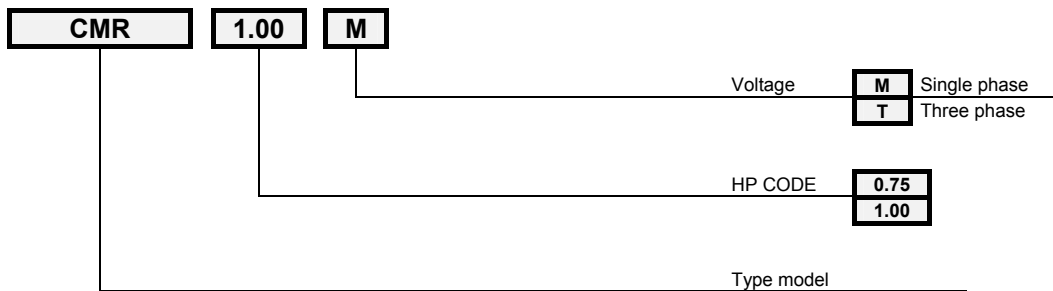
MOTOR		
Type	Electric - TEFC	
	Single Phase	Three Phase
No. Of Poles	2	
Synchronous speed [min ⁻¹]	3000	
Insulation Class	F	
Protection degree	IP 44	
Power rating	0.55 ÷ 0.75	
	[kW]	
	0.75 ÷ 1	
	[HP]	
Frequency [Hz]	50 Hz	
Voltage [V]	230V ±10%	230/400 ±10%
Capacitor	Built in	-
Over load protection	Built in	Provided by the user
Casing material	Aluminium	
Base material / motor support	Cast iron / Plastic foot	
Dimensions of cable entry	PG11	



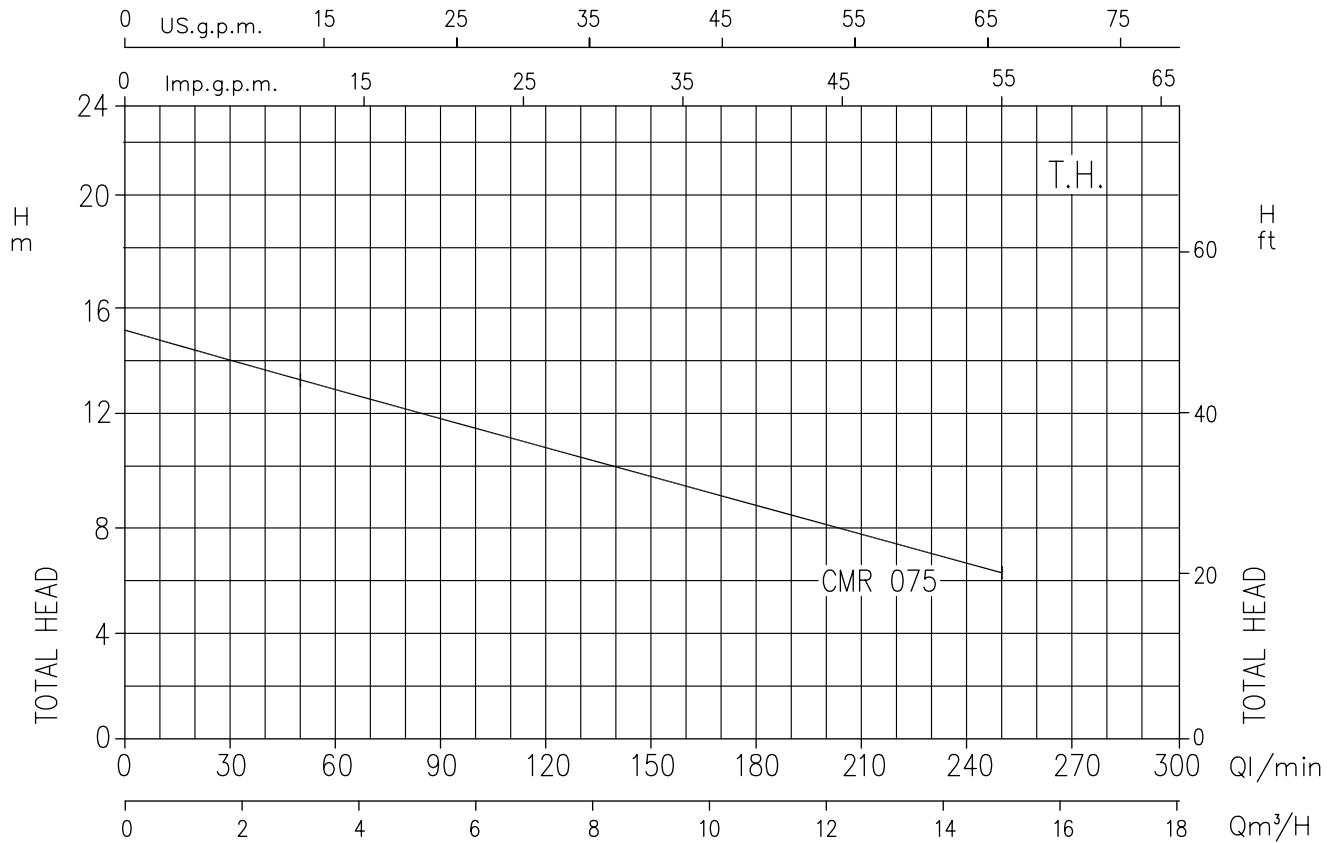
Type pumps		kW	HP	Q=Capacity				
Single phase 230 V 50 Hz	Three phase 230/400 V 50 Hz			l/min m³/h	50 3	100 6	200 12	250 15
CMR 0.75 M	CMR 0.75 T	0.55	0.75	13.6	11.4	8.1	6.3	-
CMR 1.00 M	CMR 1.00 T	0.75	1	17.3	15.4	11.5	9.6	8.7

H=Total manometric head in meters

TYPE KEY:

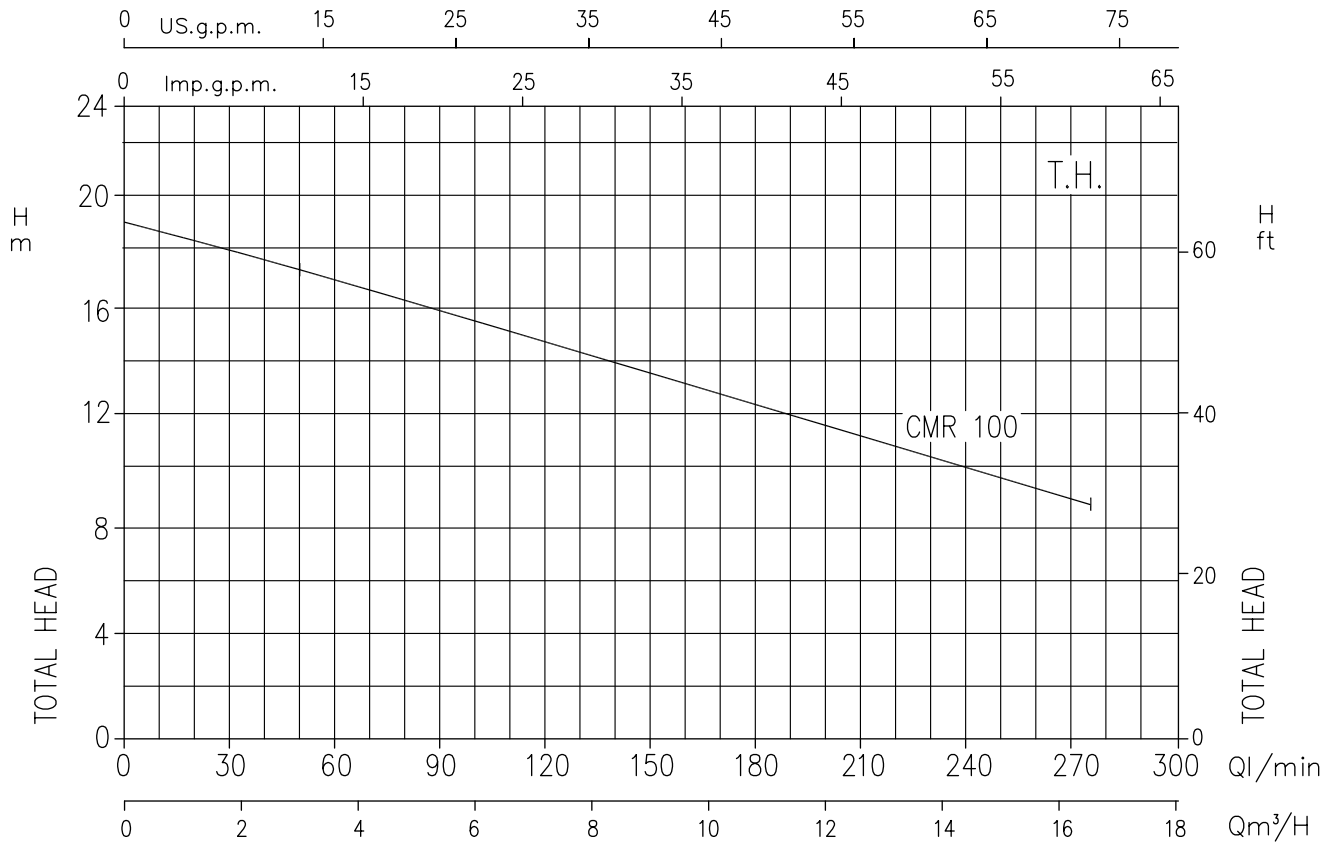


CMR 0.75 (0.55 kW)
SYNCHRONOUS SPEED: 3000 min⁻¹



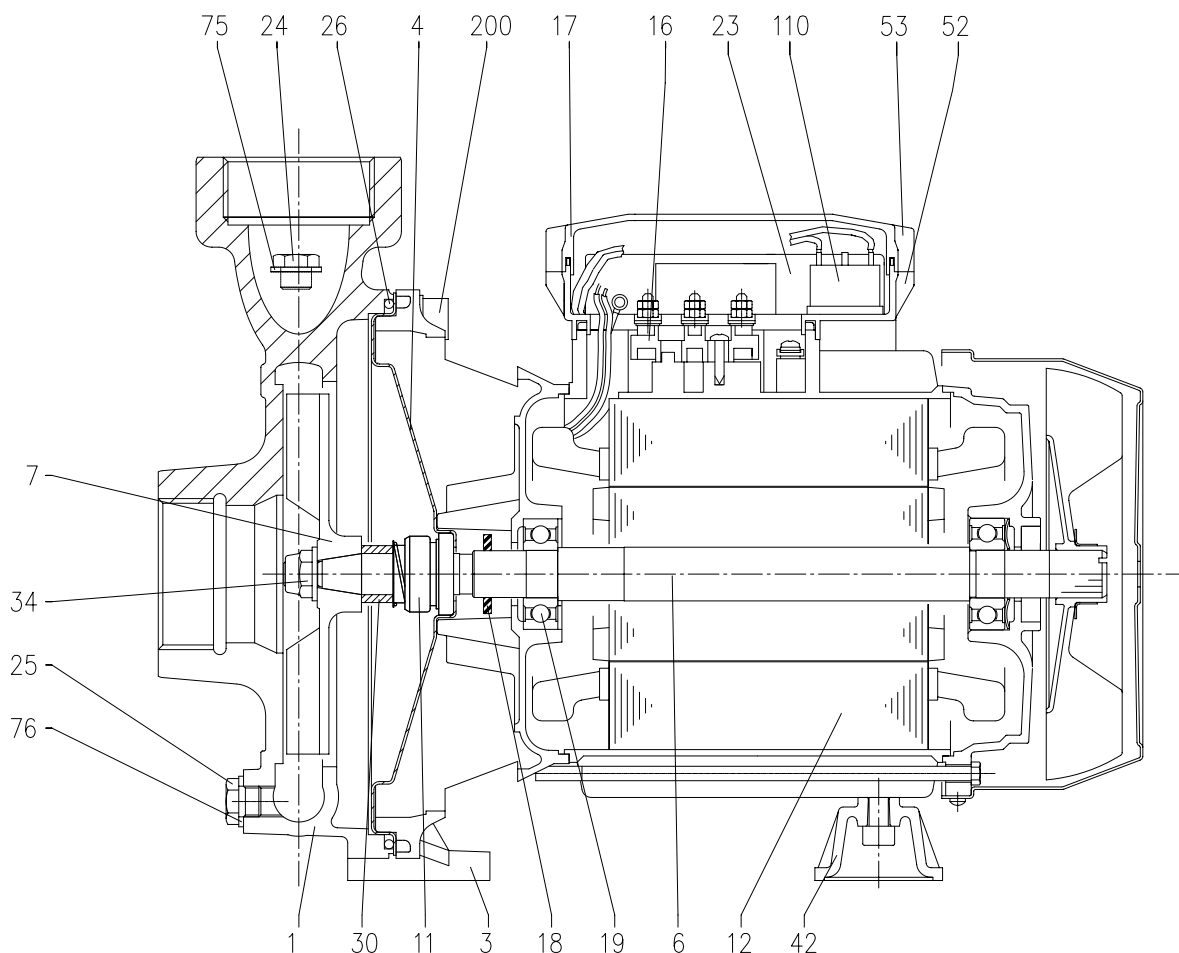
Temperature of water: 20°C
 Impeller diameter = 114 mm
 Applicable standard of test: ISO 9909 – Annex A

**CMR 1.00 (0.75 kW)
SYNCHRONOUS SPEED: 3000 min⁻¹**



Temperature of water: 20°C
 Impeller diameter = 120 mm
 Applicable standard of test: ISO 9906 – Annex A

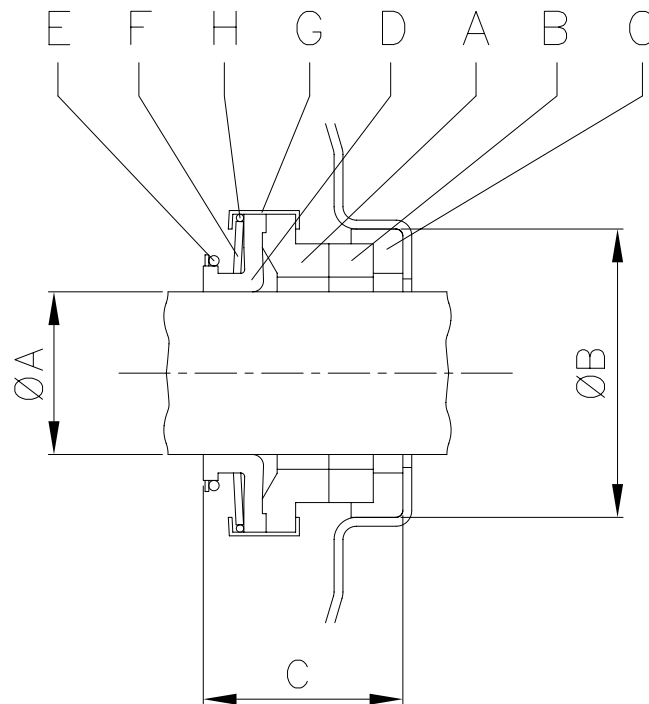
SECTIONAL VIEW



N°	PART NAME	MATERIAL	NO.FOR 1 UNIT	N°	PART NAME	MATERIAL	NO.FOR 1 UNIT
1	Casing	Cast iron	1	21	Adjusting ring	Steel C70	1
3	Motor bracket	Aluminium	1	22	Tie rod	Fe 42 Zinked	4
4	Casing cover	AISI 304	1	23	Capacitor [2]	-	1
6	Shaft with rotor	AISI 416	1	24	Priming plug	Brass	1
7	Impeller	Brass	1	25	Drain plug	Brass	1
11	Mechanical seal	Carbon/Ceramic/NBR	1	26	O-ring	NBR	1
12	Motor frame with stator	-	1	30	Mechanical seal spacer	Brass	1
13	Motor cover [1]	Aluminium	1	34	Impeller nut	AISI 304	1
14	Fan	Polypropilene	1	42	Foot	PVC	1
15	Fan cover	Fe P04 Zinked	1	52	Capacitor box [2]	Polypropilene	1
16	Terminal box	-	1	53	Capacitor box cover [2]	Polypropilene	1
17	Terminal box cover [1]	Aluminium	1	75	Washer	Aluminium	1
18	Splash ring	NBR	1	76	Washer	Aluminium	1
19	Pump side ball bearing	-	1	200	Screw	Stainless steel A2 UNI7323	4
20	Fan side ball bearing	-	1				

[1] Only for three phase
[2] Only for single phase

MECHANICAL SEAL

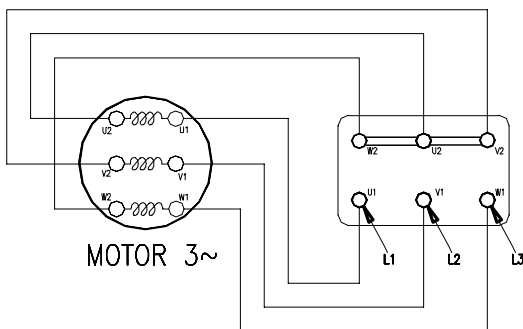


REF	PART NAME	MATERIAL product standard
A	Rotary seal ring	carbon graphite
B	Stationary seal ring	ceramic
C	Gasket	NBR
D	Bellows	NBR
E	Ring	AISI 304
F	Self driving spring	AISI 304
G	Frame	AISI 304
H	Retainer ring	AISI 304

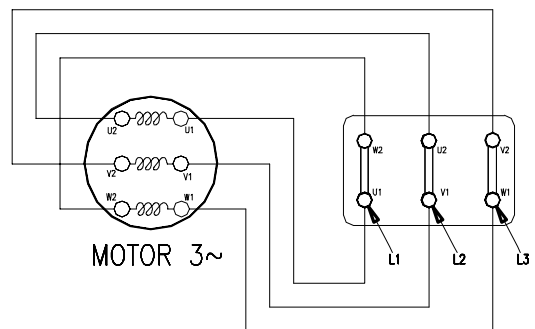
DIAGRAM AND ELECTRIC CONNECTIONS

THREE PHASE MOTOR

STAR CONNECTION

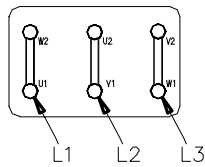


DELTA CONNECTION



FOR MOTOR 4 kW AND BELOW

DELTA CONNECTION 230 V



STAR CONNECTION 400 V

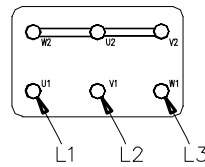
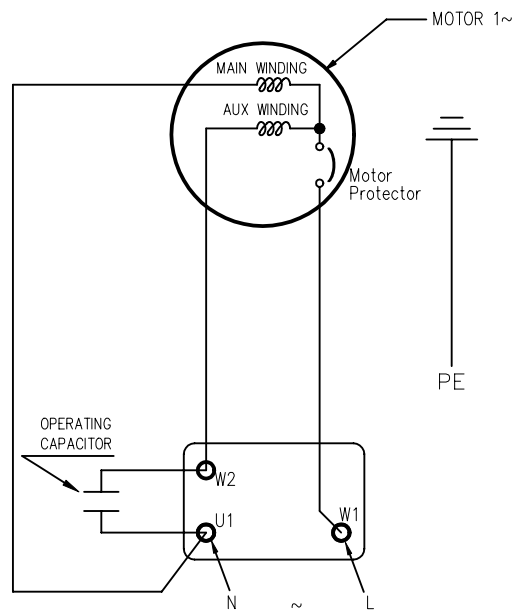
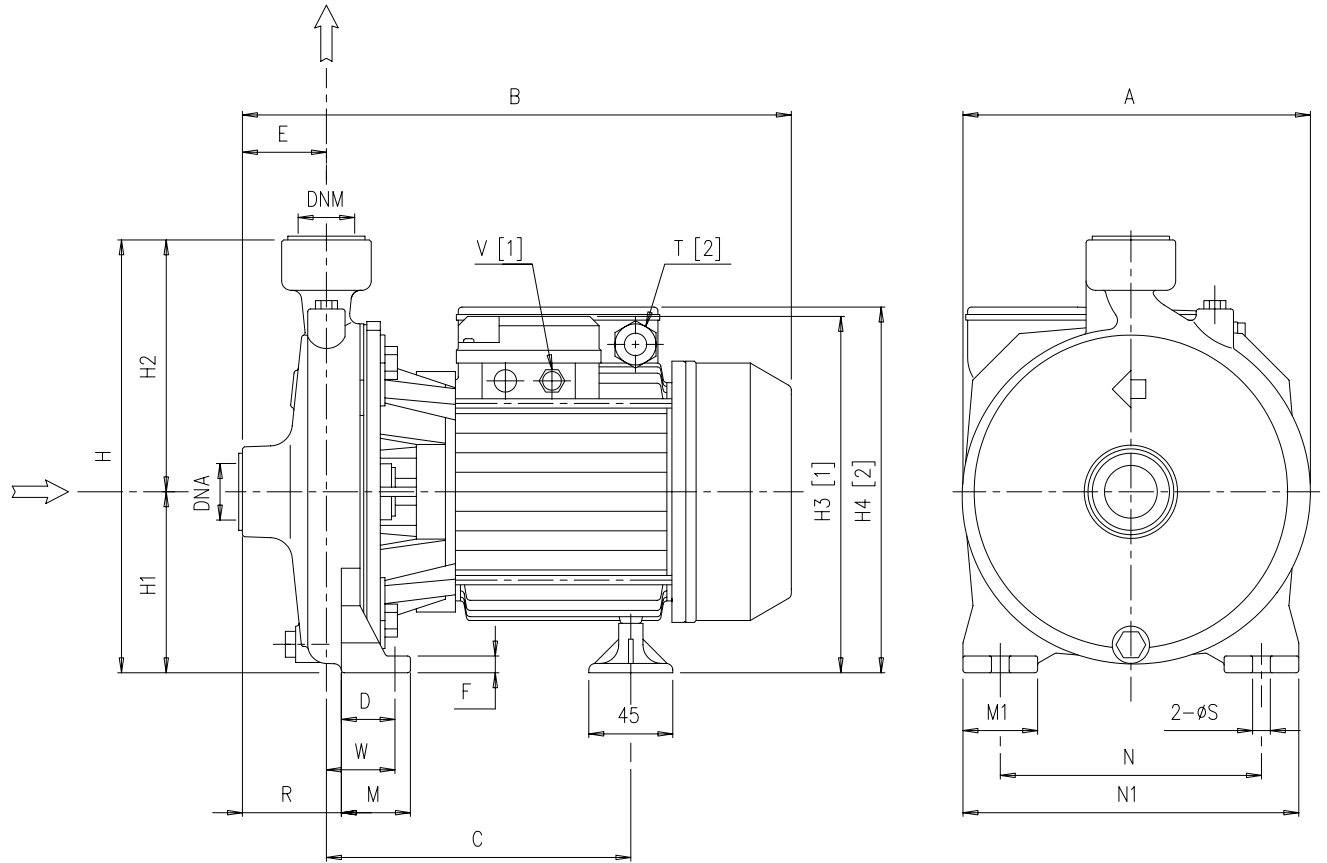


DIAGRAM AND ELECTRIC CONNECTIONS

SINGLE PHASE MOTOR

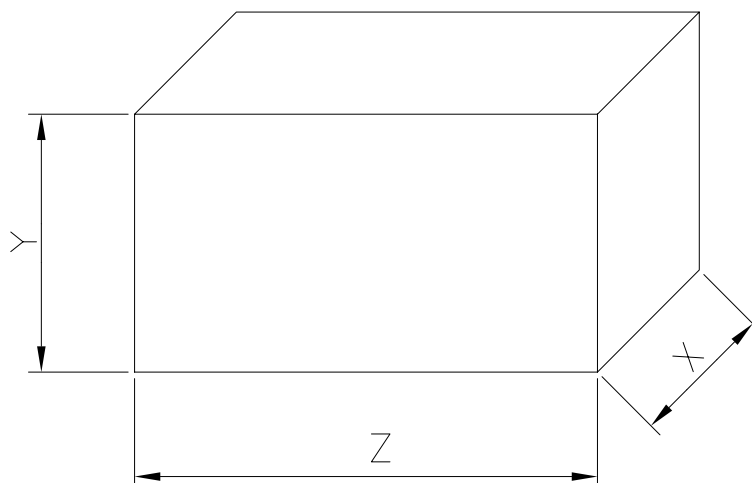
FOR MOTORS WITH LOCKED ROTOR CURRENT
UP TO 25 [A]
INTERNAL MOTORPROTECTOR





[1] Only for three phase
 [2] Only for single phase

Pump type	Dimensions [mm]																					
	A	B	C	D	E	F	H	H1	H2	H3	H4	M	M1	N	N1	R	T	V	W	S	DNA	DNM
CMR 0.75	180	310.3	181.8	36.8	45	9	229	97	132	197.5	198	45	40	140	180	60.5	PG11	PG11	52.3	9.5	G 1 ½	G 1 ½
CMR 1.00	180	310.3	181.8	36.8	45	9	229	97	132	197.5	198	45	40	140	180	60.5	PG11	PG11	52.3	9.5	G 1 ½	G 1 ½



Type pumps		PACKING [mm]			WEIGHT [kg]
		X	Y	Z	
CMR 0.75M	CMR 0.75T	205	260	330	11
CMR 1.00M	CMR 1.00T	205	260	330	12.2

Type pumps		kW	HP	Locked rotor current			Capacitor		Input in [kW]		Full load current in [A]		
Single phase 230 V 50 Hz	Three Phase 230/400 V 50 Hz			Single phase 230 V	Three Phase 230 V 400 V		Single phase µF	VI	Single Phase	Three Phase	Single Phase	Three Phase 230 V	400 V
CMR 0.75M	CMR 0.75T	0.55	0.75	13.3	11.2	6.5	14	450	1	0.98	4.5	3	1.7
CMR 1.00M	CMR 1.00T	0.75	1	20.3	15.1	8.7	20	450	1.2	1.15	5.5	3.6	2.1

Type pumps		Ball Bearing	
Single phase 230 V	Three Phase 230/400 V	Pump side	Fan side
CMR 0.75M	CMR 0.75T	6202 ZZ	6202 ZZ
CMR 1.00M	CMR 1.00T	6202 ZZ	6202 ZZ